

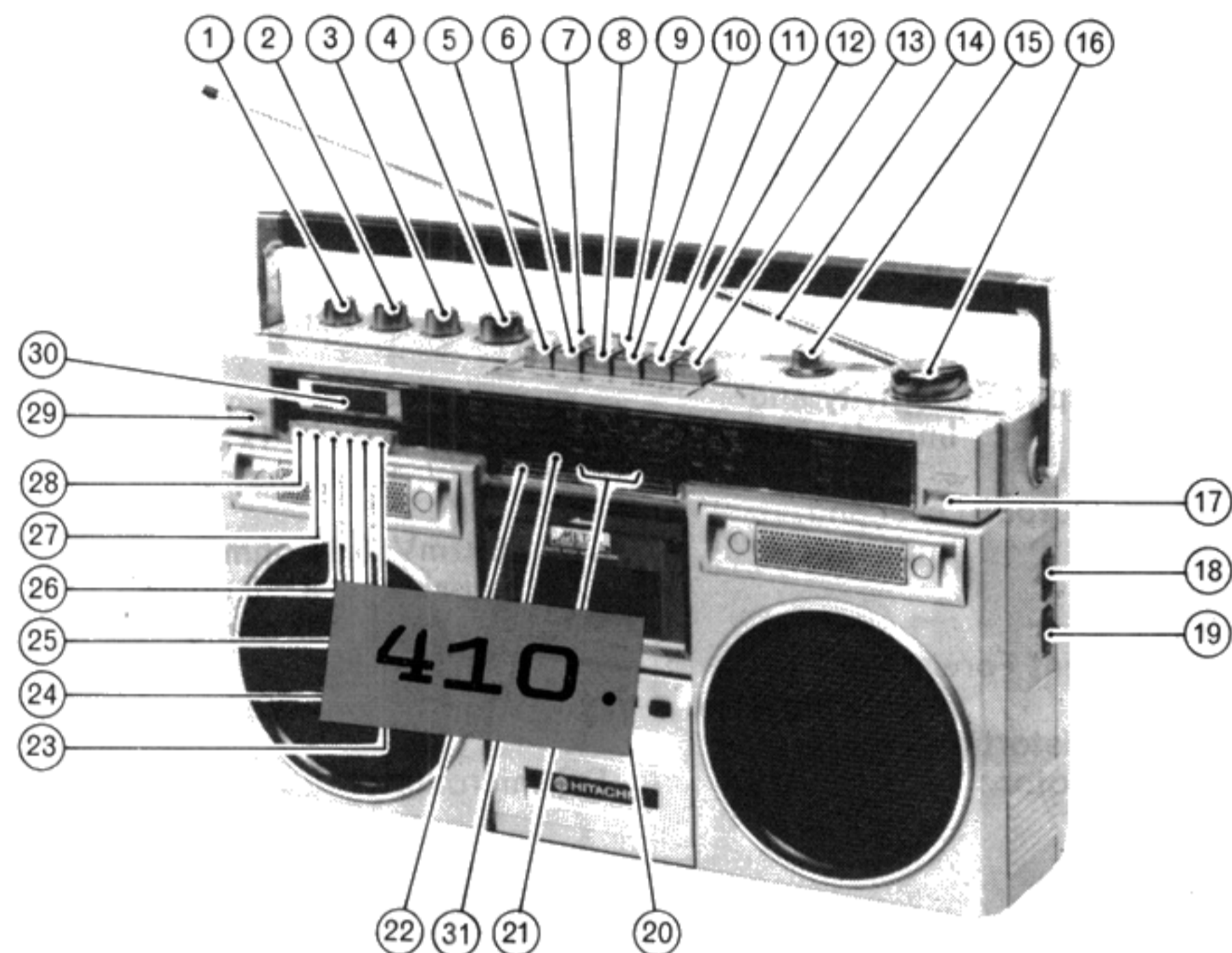
HITACHI

SERVICE MANUAL

TK

No. 1679E

TRK-7910E, E(BS), EZ



CONTENTS

SPECIFICATIONS	2
DISASSEMBLY	2
DIAL CORD STRINGING	4
LUBRICATION	4
INSPECTION	4
ADJUSTMENT	5
SCHEMATIC DIAGRAM	
Tuner section	7
Tape recorder section.....	11
CIRCUIT BOARD DIAGRAM	
Tuner section	9
Tape recorder section.....	13
WIRING DIAGRAM.....	15
REPLACEMENT PARTS LIST	18
EXPLODED VIEW.....	19

KEY TO ILLUSTRATIONS

- | | |
|-------------------------------|---------------------------------------|
| ① BALANCE CONTROL | ①⑦ BUILT IN MICROPHONE (RIGHT) |
| ② BASS CONTROL | ①⑧ AFC SWITCH |
| ③ TREBLE CONTROL | ①⑨ FM MODE SWITCH |
| ④ VOLUME CONTROL | ②⑩ TAPE COUNTOR |
| ⑤ PAUSE BUTTON | ②⑪ LED LEVEL INDICATORS |
| ⑥ FAST FORWARD BUTTON | ②⑫ FM STEREO INDICATOR |
| ⑦ FUNCTION SELECTOR | ②⑬ SLEEP OFF/SNOOZE BUTTON |
| ⑧ REWIND BUTTON | ②⑭ SLEEP ON BUTTON |
| ⑨ TAPE SELECTOR | ②⑮ TIMER BUTTON |
| ⑩ PLAYBACK BUTTON | ②⑯ TIME SET BUTTON |
| ⑪ RECORD BUTTON | ②⑰ MINUTE SET BUTTON |
| ⑫ POWER SWITCH | ②⑱ HOUR SET BUTTON |
| ⑬ STOP/EJECT BUTTON | ②⑲ BUILT IN MICROPHONE (LEFT) |
| ⑭ TELESCOPIC ANTENNA (AERIAL) | ③⑰ TIME DISPLAY |
| ⑮ BAND SELECTOR | ③⑱ AC POWER (MAINS) INDICATOR [E(BS)] |
| ⑯ TUNING CONTROL | |

SAFETY PRECAUTION

The following precautions should be observed when servicing.

1. Since many parts in the unit have special safety-related characteristics, always use genuine Hitachi's replacement parts. Especially critical parts in the power circuit block should not be replaced with other makes. Critical parts are marked with \triangle in the schematic diagram and circuit board diagram.
2. Before returning a repaired unit to the customer, the service technician must thoroughly test the unit to ascertain that it is completely safe to operate without danger of electrical shock.

SPECIFICATIONS AND PARTS ARE SUBJECT TO CHANGE FOR IMPROVEMENT

CASSETTE TAPE RECORDER WITH FM/SW/MW/LW RADIO

SPECIFICATIONS

GENERAL SECTION

Semi-conductors :	IC's : 7 Transistors : 6 [E, E(BS)] 7 (EZ)
	Diodes : 10 LED's : 6 (E, EZ) 7 [E (BS)]
	Varicap : 1 Zener diode : 1
Power (Mains) Supply :	AC : 220V, 50 Hz (E), (EZ) 240V, 50 Hz (E(BS)) DC : 12V (IEC R20×8 or equivalent) DC : 3V (IEC R6×2 or equivalent)
Power (Mains) Consumption :	26W
Dimensions :	474(W)×276(H)×157(D)mm
Weight :	6 kg (with batteries)
Power output :	5W/ch (T.H.D. 10%), 15W M.P.O. (AC operation)
Speaker :	120mm, 2.8 ohms×2 30mm, 3,000 ohms×2
TUNER SECTION	
Circuit System :	FM/SW/MW/LW 4-band superheterodyne
Tuning Range :	FM : 87.5 to 108 MHz SW : 6.0 to 18.0 MHz MW : 530 to 1605 kHz LW : 150 to 350 kHz
Sensitivity :	FM : 10 dB (pra.), 3 dB (max.) SW : 25 dB (pra.), 18 dB (max.) MW : 48 dB (pra.), 35 dB (max.) LW : 55 dB (pra.), 45 dB (max.)

Intermediate Frequency :	FM : 10.7 MHz SW/MW/LW : 465 kHz
Antennas (Aerials) :	FM/SW : Telescopic antenna MW/LW : Built-in ferrite-core antenna

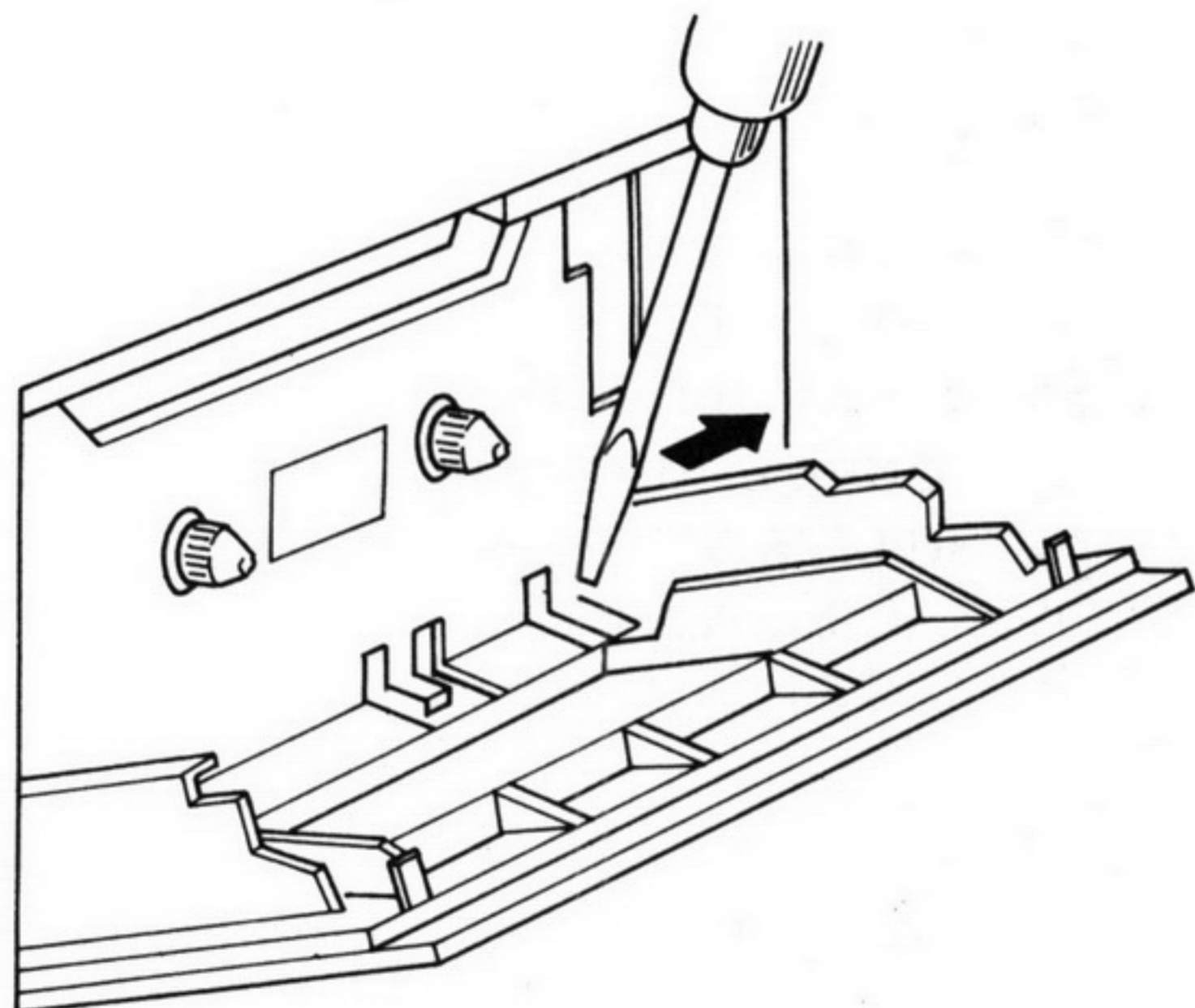
TAPE RECORDER

Tape :	Cassette tape (C-30, 60, 90)
Tape Speed :	4.75cm/s
Recording System :	AC bias, 57 kHz
Erasing System :	AC erase
Track System :	4 track 2 channel
Frequency Response :	Normal : 70 Hz to 12 kHz CrO ₂ : 70 Hz to 13 kHz METAL : 70 Hz to 14 kHz

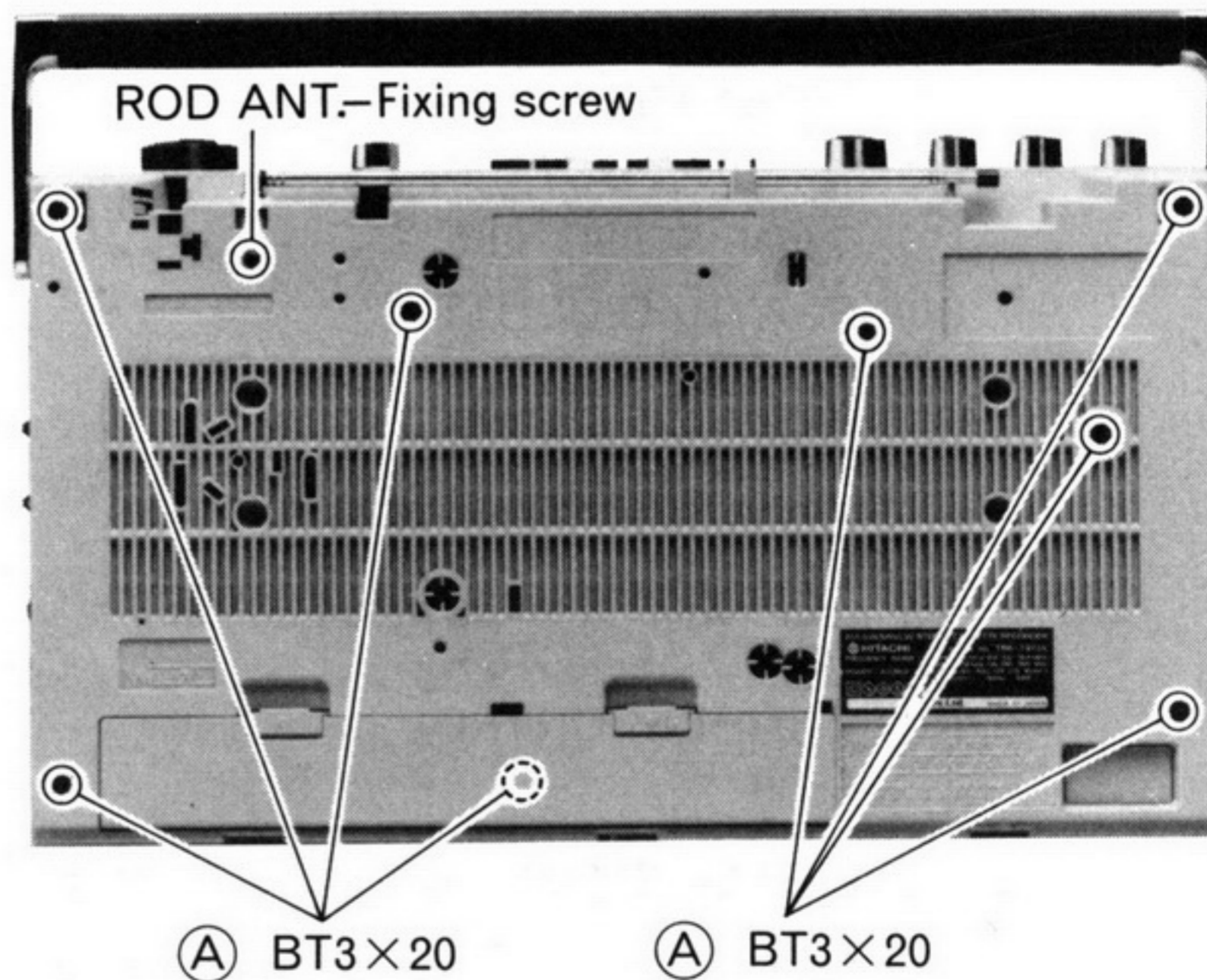
S/N (Signal to Noise Ratio) :	40 dB
Wow and Flutter :	0.15% (WRMS)
Cross Talk :	60 dB (Between tracks) 40 dB (Between channels)
Erase Ratio :	60 dB
Input Sensitivity and Impedance :	Microphone : 2mV, 1k ohms DIN : 8mV, 10k ohms
Output Level and Impedance :	DIN : 500mV, 6.8k ohms EXT. Speaker : 2.8~8 ohms Headphone : 8~2k ohms
Fast Forward or Rewinding Time :	120 sec. (Using C-60)
Distortion :	2%
Motor :	DC micromotor

DISASSEMBLY

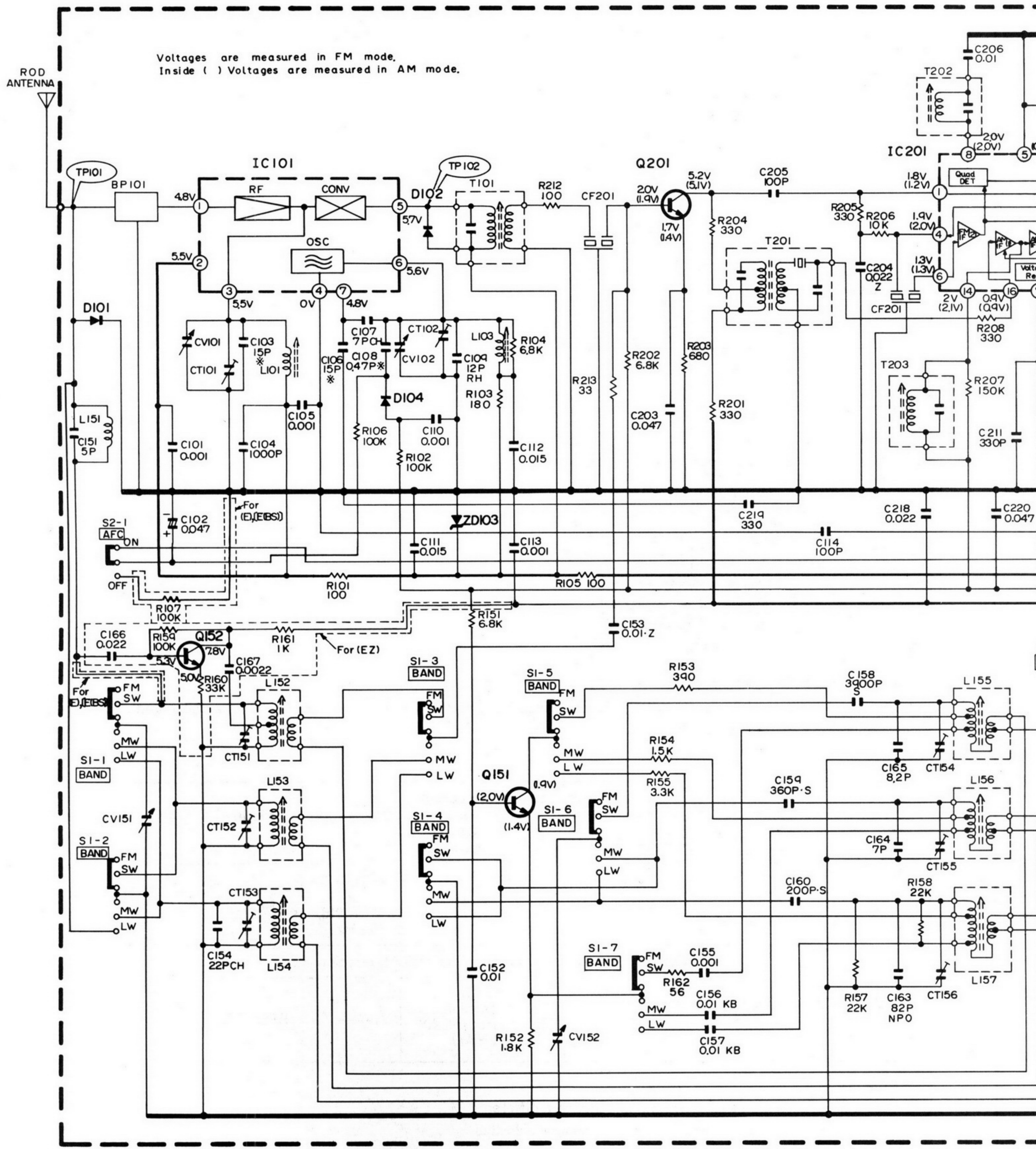
1. Cassette lid

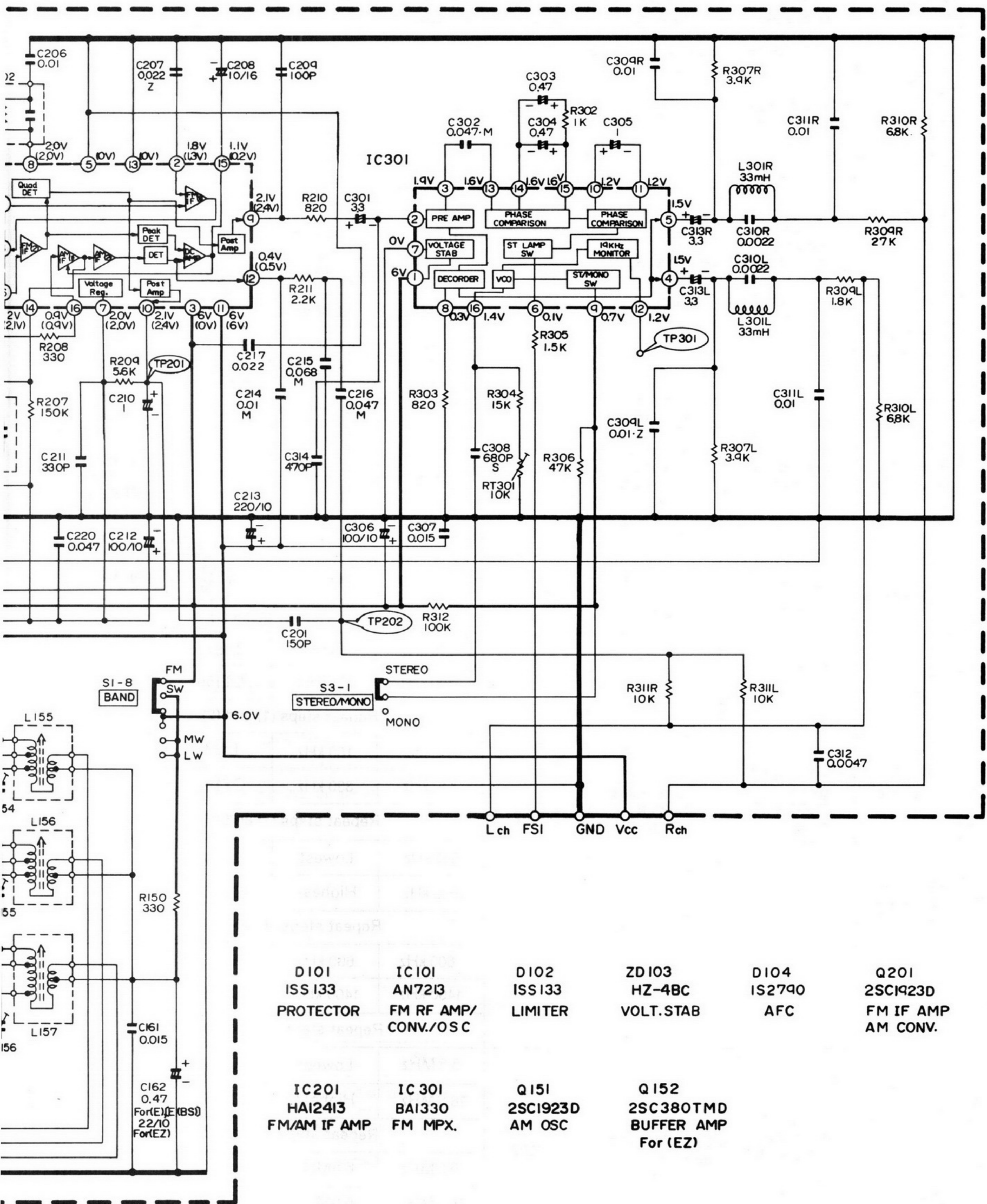


2. Rear case : Fixing screws (A) (8)



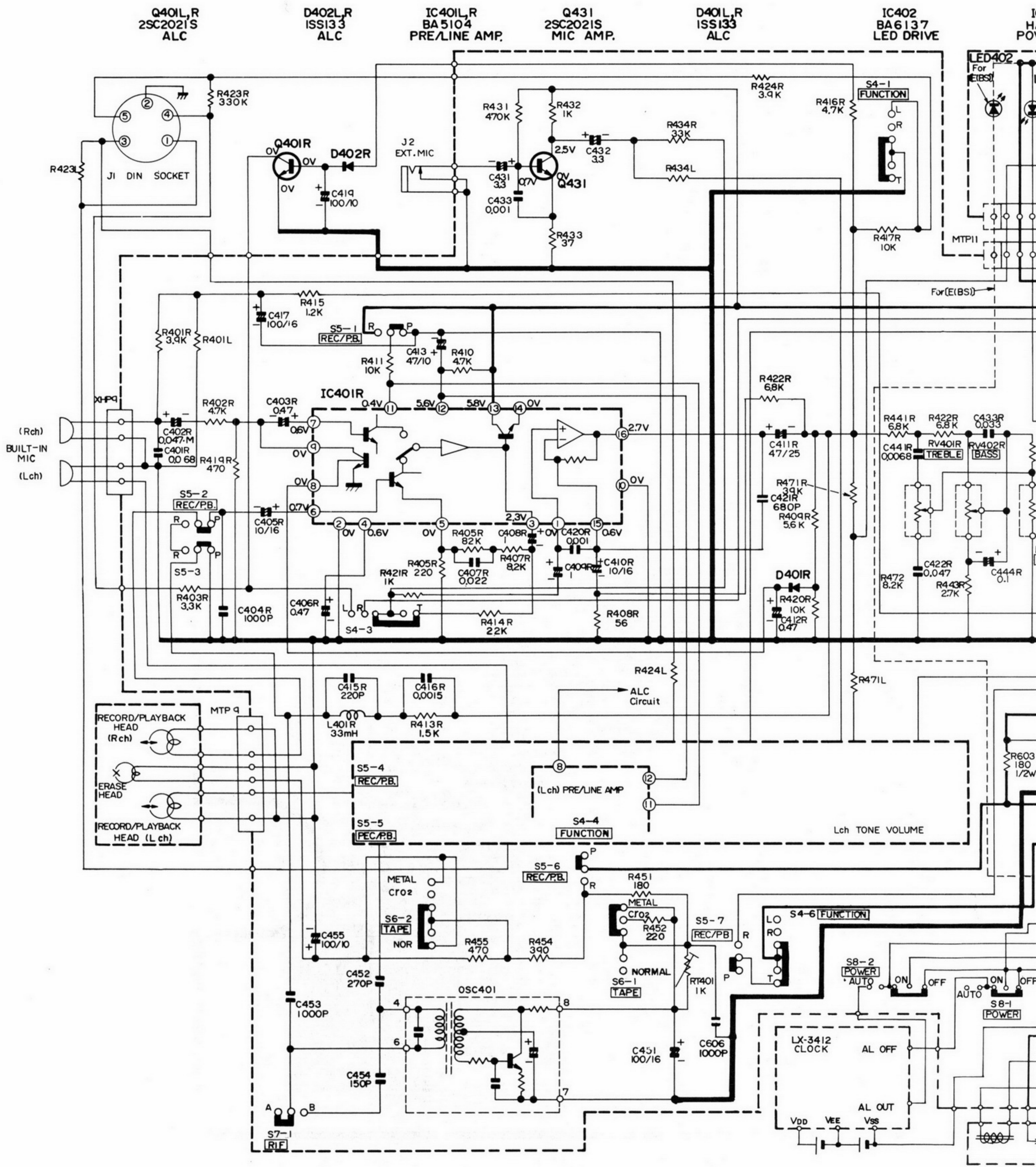
SCHEMATIC DIAGRAM (Tuner Section)





- | | | | | | |
|----------------------------------|--|----------------------------|---|-----------------------|---|
| D101
ISS 133
PROTECTOR | IC101
AN7213
FM RF AMP/
CONV./OSC | D102
ISS133
LIMITER | ZD103
HZ-48C
VOLT.STAB | D104
IS2790
AFC | Q201
2SC1923D
FM IF AMP
AM CONV. |
| IC201
HA12413
FM/AM IF AMP | IC301
BA1330
FM MPX. | Q151
2SC1923D
AM OSC | Q152
2SC380TMD
BUFFER AMP
For (EZ) | | |

SCHMATIC DIAGRAM (Tape Recorder Section)



VE

IC501
HA1392
POWER AMP.

LED401
GL-105R53
LEVEL IND. FM STEREO IND.

LED301
GL-9PR23
FM STEREO IND. PROTECTOR

D603
VO3C
PROTECTOR

D601
SRP02-100NLF
RECT

D602
SRN02-100NLF
RECT

Q701
2SC1213C
RELAY DRIVE

LED402
GL-9PR23
AC POWER IND.
For (E)(BS)

